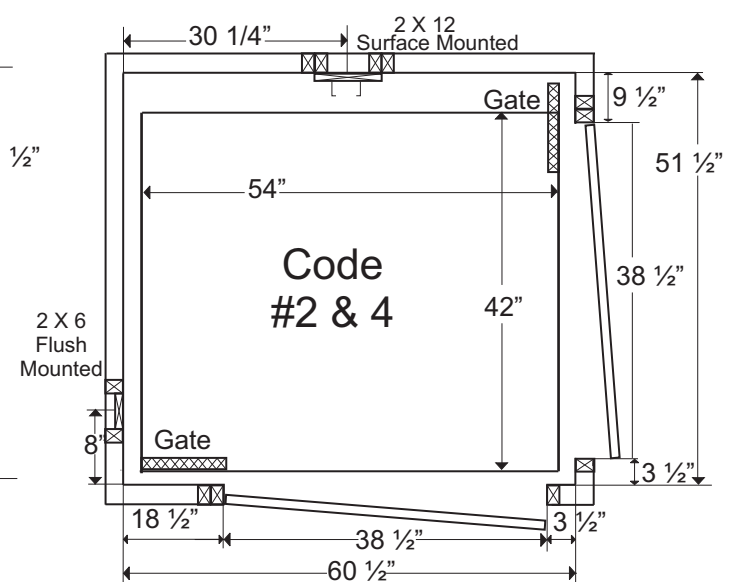
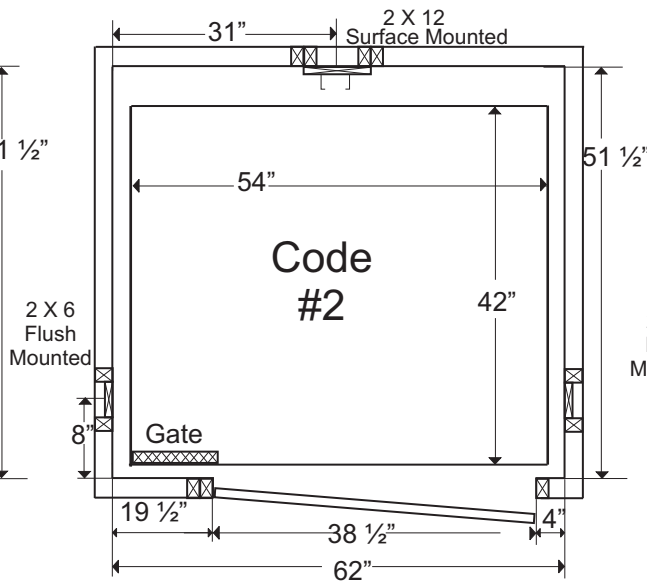
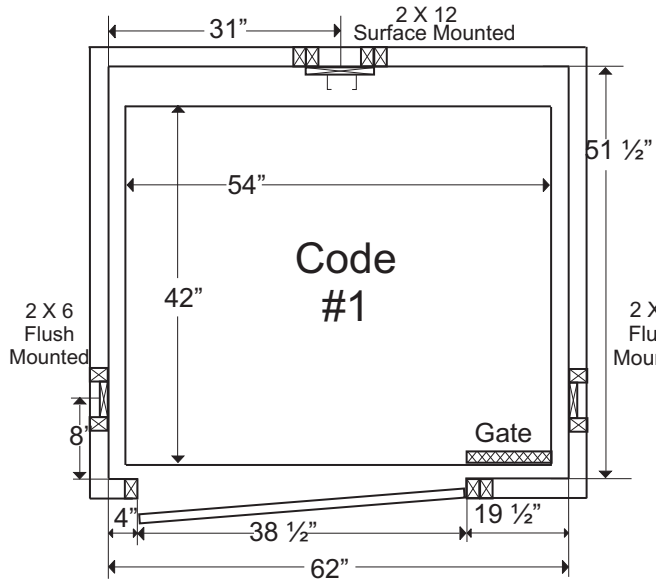


OVERSIZED CABS 1000# CAPACITY - SEE 5-3 RULE



Please Note:
Drop Slab 8" Below Finish Grade Floor

- All Dimensions are Rough
- Drawings Not to Scale
- Typical Shafts, as Shown, May be Changed to Suit Job Conditions



ANY WALL HOUSING AN ENTRY DOOR SHOULD BE 2X4 CONSTRUCTION. CALL FOR ALTERNATIVES.

Phone: 713-961-1940
 Fax: 713-466-8844
 Email: mselev@sbcglobal.net

